

Technical information / Planning specification

Impulse emitter column V03



Main characteristics:

- available in standard colours red (RAL 3000) or silver (RAL 9006) varnished steel plate housing (also available in every RAL colour)
- easy access to interior of housing
- large base plate at the bottom for mounting of control units or control elements
- door can be locked through profile half cylinder (PHC)
- ample space for installation of magnetic card reader, coin tester, key operated switches etc..
- design fits barrier PASS 830 and PASS 830L



www.tousek.com

Tousek Ges.m.b.H.

A-1230 Wien
Zetschegasse 1
Tel. +43/1/667 36 01
Fax +43/1/667 89 23
info@tousek.at

Tousek GmbH

D-83395 Freilassing
Traunsteiner Straße 12
Tel. +49/86 54/77 66-0
Fax +49/86 54/5 71 96
info@tousek.de

Tousek Sp. z o.o.

PL 43-190 Mikołów (k/Katowic)
Wyzwolenia 27
Tel. +48/32/738 53 65
Fax +48/32/738 53 66
info@tousek.pl

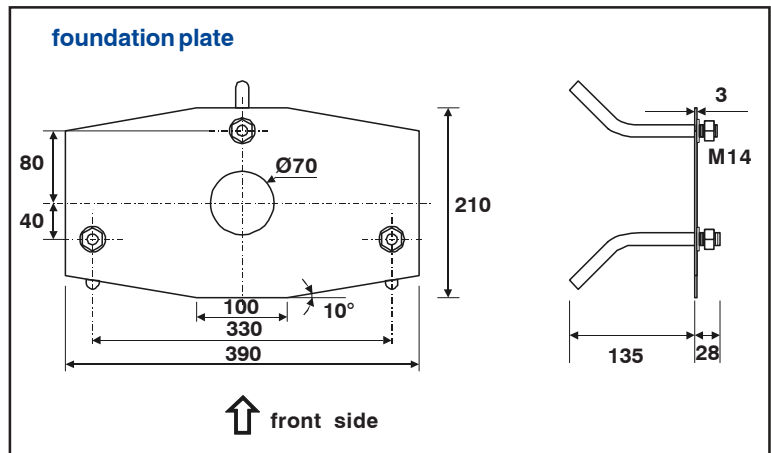
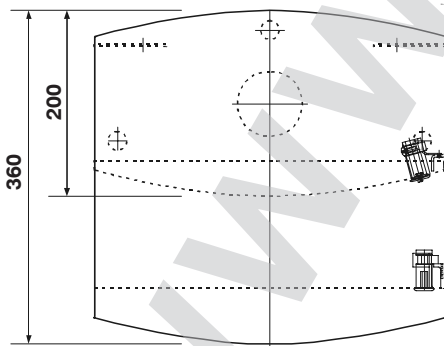
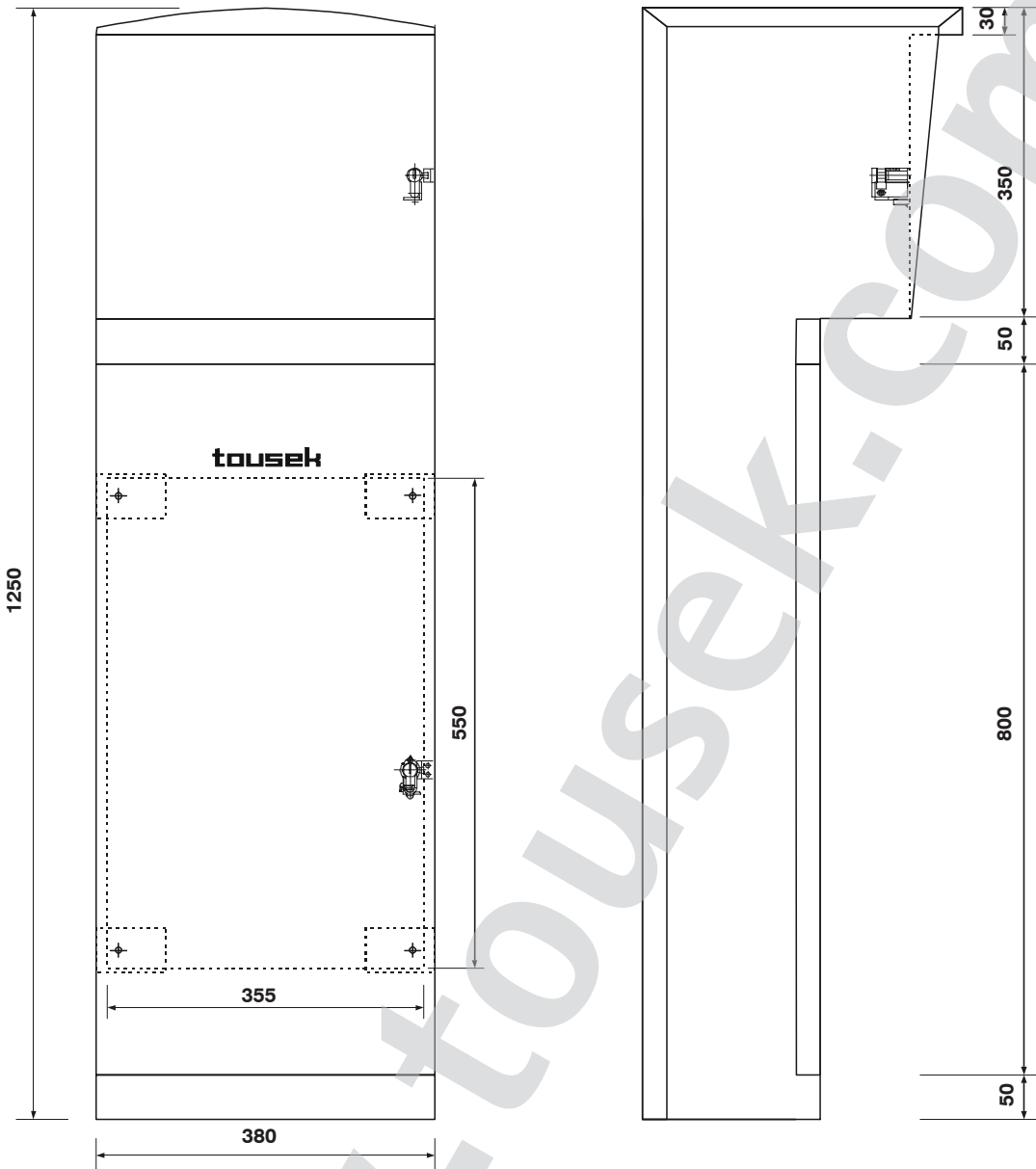
Tousek s.r.o.

CZ-130 00 Praha 3
Jagellonská 9
Tel. +420/2/2209 0980
Fax +420/2/2209 0989
info@tousek.cz



tousek®
AUTOMATIC GATE OPERATORS

Dimensional sketch
measures in mm



We reserve the right to change dimensions and technical specifications without prior notice.