

# Connection and installing manual

## LED blinking lamp






## Important warning and safety notes for installation and operation

- These installation and operating instructions is an integral part of the product. they have been specifically written for professional installers trained and skilled in the trade and should be carefully read in their full length before carrying out the installation. They describe the proper installation and operation of the LED blinking lampn only, not of the over-all device "automatic gate". After the installation this manual has to be handed over to the user.
- **Installation, connection, adjustments, putting into operation, and servicing may only be carried out by trained professionals in full accordance with these installation- and operating instructions.**
- Before carrying out works at the gate-system, the power supply has to be turned off.
- **All electrical installations have to be made in full conformity with the applying EU or national standards in their current version.**
- **In specific cases the ÖVE/VDE regulations and standards must be observed, if applicable.**
- The TOUSEK Ges.m.b.H. cannot be held liable for any claims resulting from disregards of the laws and standards in force during the installation and operation.
- The packaging materials (cardboard, plastic, EPS foam parts and filling material etc.) have to be properly disposed of in accordance with the applying recycling- and environmental procection laws. They may be hazardous to children and therefore have to be stored out of children´s reach.
- The product is not suitable for installation in explosion-hazardous areas.
- The product may only be used in accordance with its original purpose, for which it has been exclusively designed, and which is described in these installation and operating instructions. The TOUSEK Ges.m.b.H. rejects any liability if the product is used in any way not fully conforming to its original purpose as stated herein.
- **Children have to be instructed**, that the gate facility as well as the belonging parts may not be used improperly, e.g. for playing.
- The TOUSEK Ges.m.b.H. rejects any liability for claims resulting from usage of the product in combination with components or devices which do not fully conform to the applying safety laws and rules.
- Only original spare- and replacement parts may be used for repair of the product.

## LED blinking lamp

### Features

- 2 LED Lights, durable, fail-safe
- prepared for antenna connection FK 433 and FK 868
- optional stainless steel mounting bracket
- 



### General

The LED blinking light is particularly characterized by an elegant shape and great versatility. It consists of a plastic base housing, in which the lamp is housed with the power supply and a yellow covering cap.

### Technical data

Blinking lamp LED		
Power supply	230V a.c., 50–60Hz	12Va.c./d.c.–230Va.c.
Power consumption	7W	7W
Lights	2 x LED	2 x LED
for central unit (operator)	ST12/5, ST 25, ST 35, ST 51, ST 61, PULL, DYNAMIC, TPS	ST 24, ST 63
Article no.:	13720210	13720220
Optional components	Stainless steel mounting bracket (Article no 13700290)	

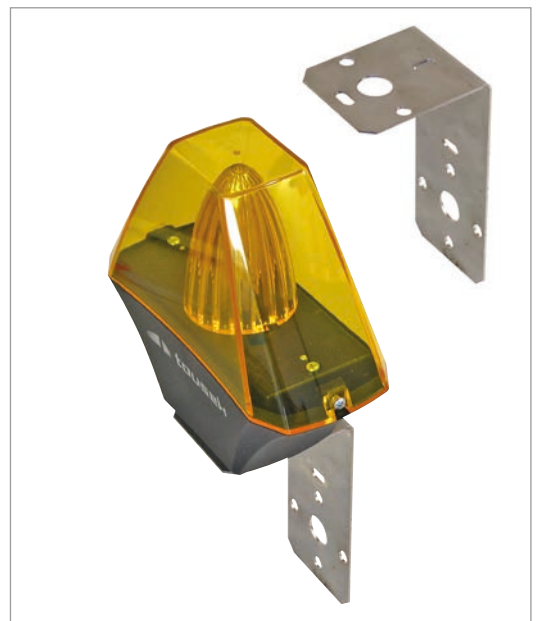
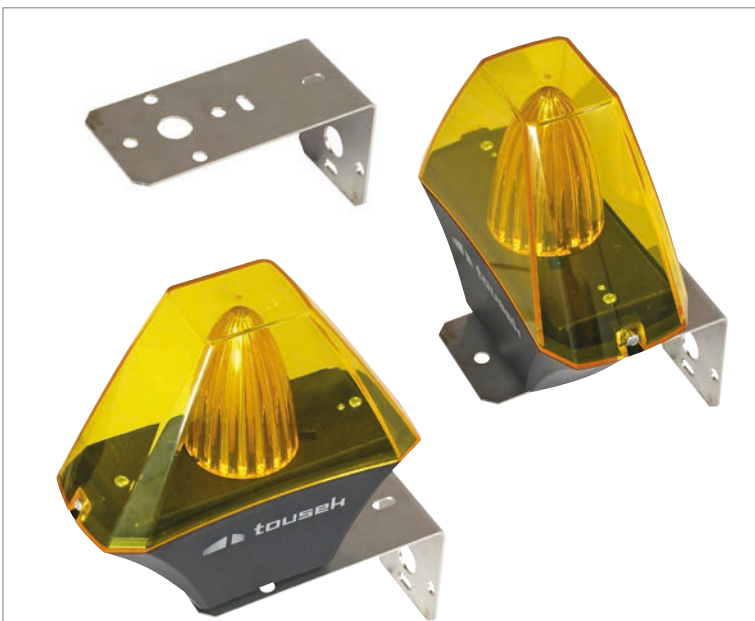
## Mounting and connection

## LED blinking lamp

- The flashing light has to be mounted vertically, with the cable entry downwards.

### Mounting bracket

- The optional mounting bracket can be used in order to mount the flashing light as shown below:

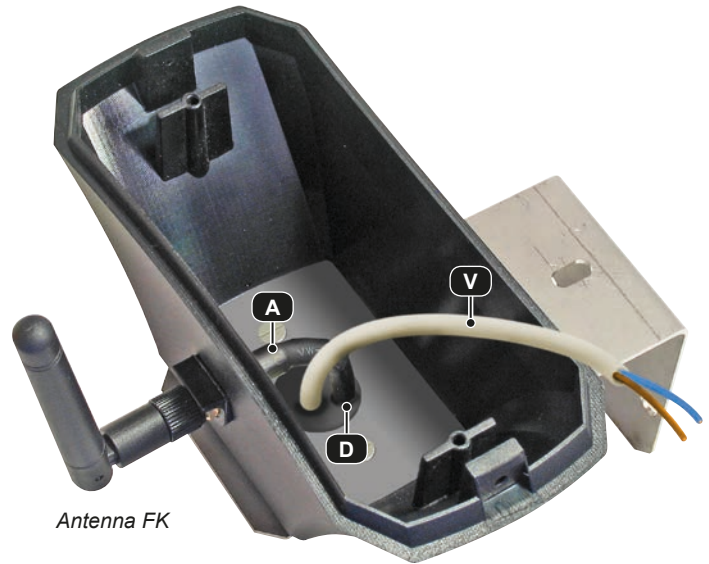


## Cable entry and connection

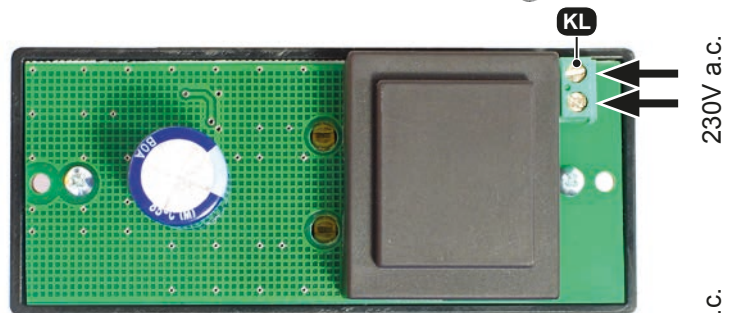
- **Switch off power supply!**



- Lead the supply (**V**) and the antenna cable (**A**) (for mounting the antenna) through the mounting bracket and the rubber gasket (**D**) to the inside of the lamp base.
- If necessary, carry out the antenna installation (see page 5)
- Then connect the supply cable (**V**) to the terminals (**KL**) of the supply board.
- Place the board onto the lamp base as shown below and fix it with two screws (**S1**, **S2**).
- Then place the lamp cover and secure it with two more screws (**S3**, **S4**).

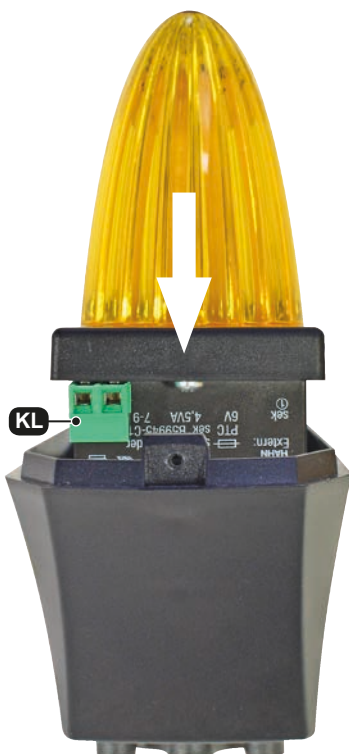


LED blinking lamp 230Va.c.



LED blinking lamp 12Va.c./d.c.–230Va.c.

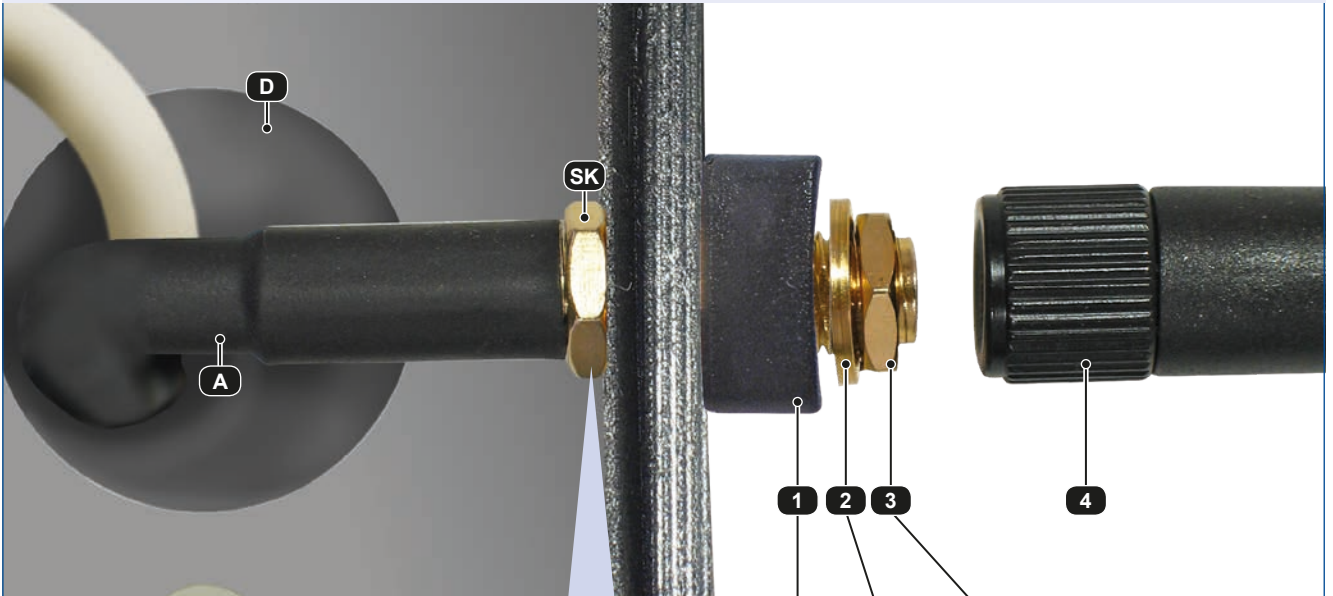
fuse (F): T 2A





## Mounting of the FK antenna to the lamp base

- Open the pre-cut point for the antenna cable located on side of the socket.
- Bring the antenna cable (A) through the rubber gasket (D) to the inside of the socket. Now insert the antenna cable (A) with the thread into the socket, going through the already prepared hole.
- Slide the plastic roof (1) and then the spring ring (2) on the outstanding thread of the antenna cable.
- After fixing the antenna cable to the socket by means of the nut (3), the antenna (4) can be screwed.



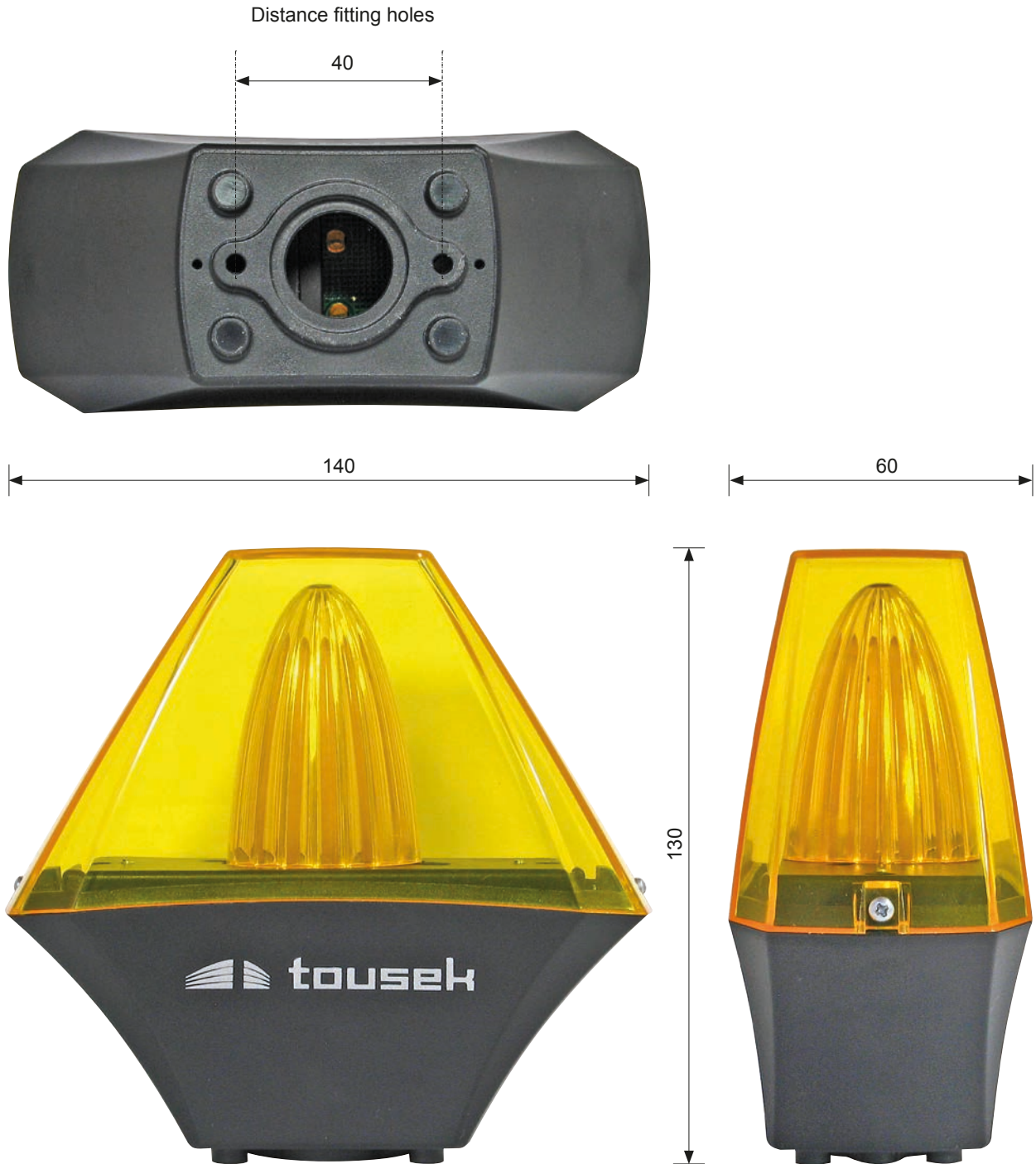
### Important

- Make sure when fitting the antenna that the hexagon socket (SK) does not get twisted (the risk is that the antenna cable breaks).
- Secure it against twisting by using an open-ended wrench.

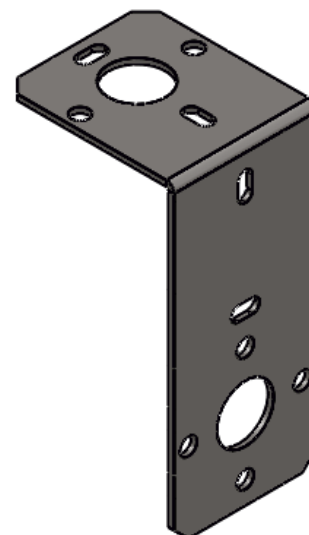
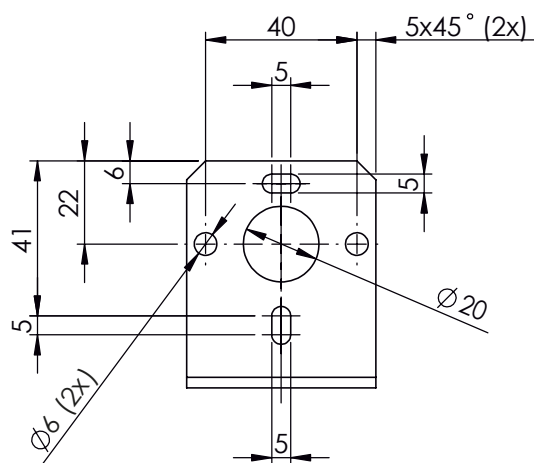
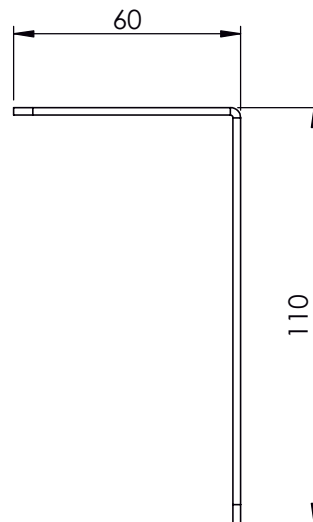
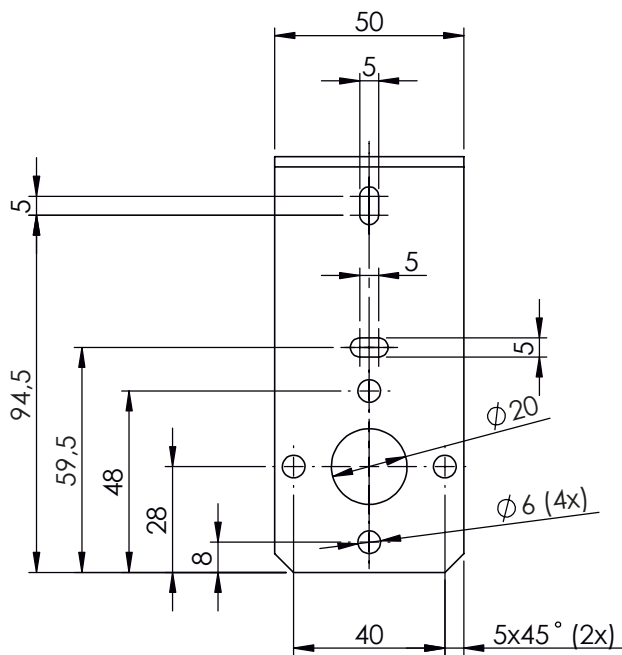


- Dimensions in mm

LED Blinking lamp



## Optional mounting bracket



We reserve the right to change the dimensions without prior notice!

## **tousek PRODUCTS**

- sliding gate operators
- cantilever systems
- swing gate operators
- garage door operators
- folding door operators
- traffic barriers
- electronic controls
- radio remote controls
- key operated switches
- access control
- safety devices
- accessories

**Tousek Ges.m.b.H. Austria**  
A-1230 Vienna  
Zetschegasse 1  
Tel. +43/ 1/ 667 36 01  
Fax +43/ 1/ 667 89 23  
info@tousek.at

**Tousek GmbH Germany**  
D-83395 Freilassing  
Traunsteiner Straße 12  
Tel. +49/ 8654/ 77 66-0  
Fax +49/ 8654/ 57 196  
info@tousek.de

**Tousek Benelux NV**  
BE-3930 Hamont - Achel  
Buitenheide 2A/ 1  
Tel. +32/ 11/ 91 61 60  
Fax +32/ 11/ 96 87 05  
info@tousek.nl

**Tousek Sp. z o.o. Poland**  
PL 43-190 Mikołów (k/Katowic)  
Gliwicka 67  
Tel. +48/ 32/ 738 53 65  
Fax +48/ 32/ 738 53 66  
info@tousek.pl

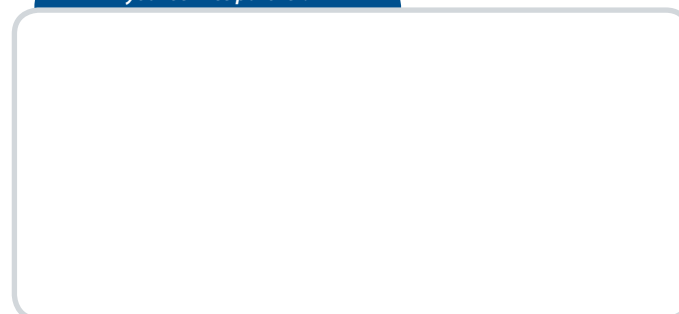
**Tousek s.r.o. Czech Republic**  
CZ-130 00 Praha 3  
Jagellonská 9  
Tel. +420/ 2/ 2209 0980  
Fax +420/ 2/ 2209 0989  
info@tousek.cz

**tousek**

E\_LED-Blinkleuchte\_01  
08. 01. 2019



*your service partner:*



We reserve the right to change dimensions and/or technical specifications without prior notice. Claims resulting from misprints or errors cannot be accepted.